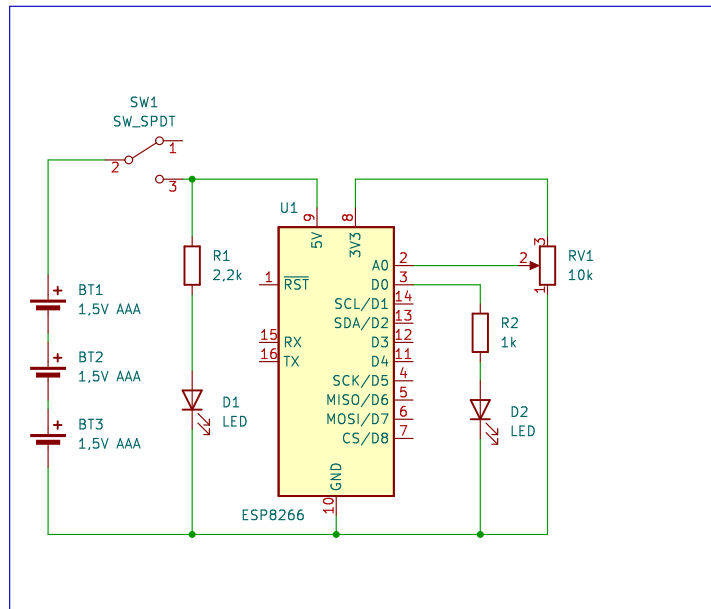
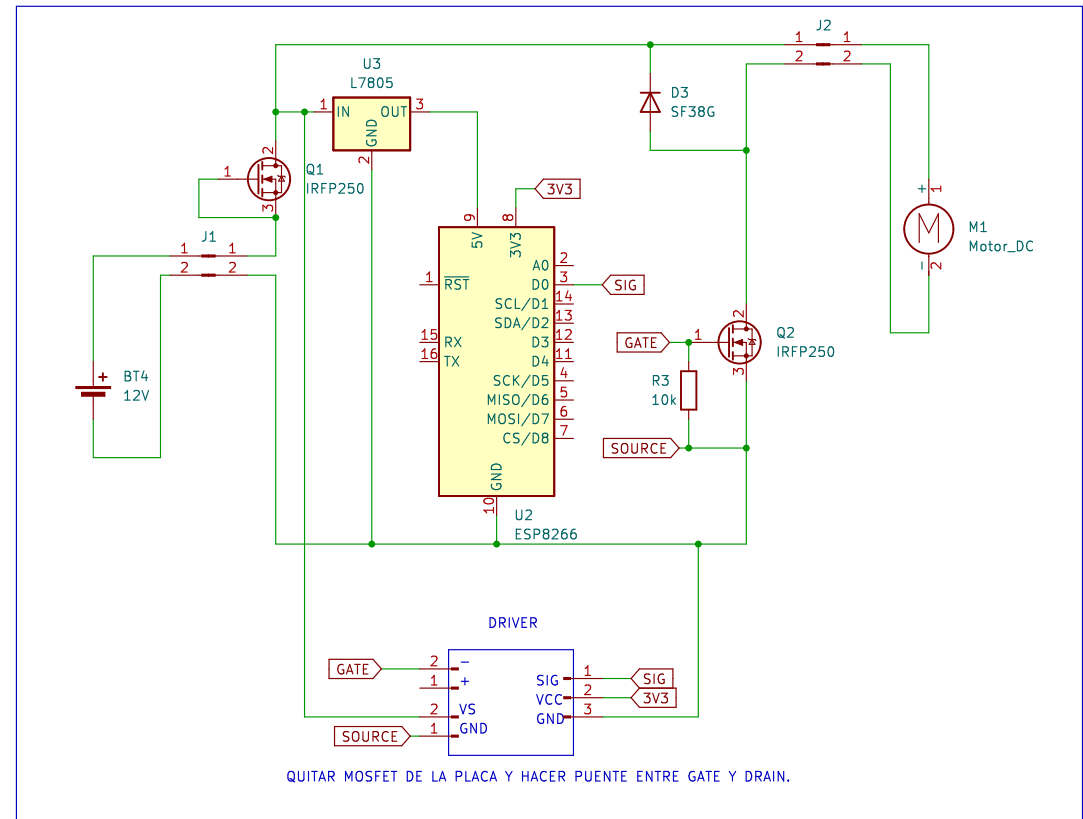


MANDO



RECEPTOR – MOTOR



SialElectronics

Sheet: /

File: ESP8266_CONTROL_MOTOR_WIFI.kicad_sch

Title: ESP8266_CONTROL_MOTOR_WIFI

Size: A4

Date: 2024-11-06

KiCad E.D.A. eeschema 7.0.8

Rev:

Id: 1/1